

# Product datasheet

Specifications



## Multi touch screen, Harmony iPC, S Panel PC Optimized SSD W10 DC Windows 10

HMIPSOS552D1801

### Main

Range Of Product	Harmony iPC
Product Or Component Type	Multi-touch screen
Processor Name	Intel Atom E3827 dual core at 1.75 GHz
Chipset Type	Intel Atom SoC
Free Slots	1 Internal SATA HDD/SSD 1 CFast
Display Size	10.1 inch
Display Colour	267000 colours
Luminance	300 cd/m <sup>2</sup>
Pixel Resolution	4096 x 4096
Video Controller Type	Intel HD Graphics
Operating System	Windows 10 IoT Enterprise 64 bitmulti-language
Software Package	EcoStruxure secure connect advisor annual subscription cyber security license not included EcoStruxure Operator Terminal Expert run time HMI license not included EcoStruxure Machine SCADA Expert run time HMI/SCADA on configured offer only EcoStruxure augmented operator advisor server augmented operator license not included

### Complementary

Number Of Points	5
Terminal Type	Touchscreen display
Memory Type	4 GB RAM DDR3 internal
Data Storage Equipment	128 GB extension back side SSD 1500000 h mtbf
Aspect Ratio	16:9
Display Type	Colour TFT LCD LED
Display Resolution	1280 x 800 pixels WSVGA
Backlight Lifespan	50000 hours
View Angle Horizontal X Vertical	160 x 160°
Touch Panel	Projected capacitive technology (PCT)
Type Of Cooling	Fanless Passive
Watchdog Timer	1...255 ms
Number Of Slots	1 mini PCI Express full-size

<b>[Us] Rated Supply Voltage</b>	24 V DC +/- 20 % 100...240 V AC with additional adaptor HMIYPSOMAC1
<b>[In] Rated Current</b>	1.9 A
<b>Mechanical Robustness</b>	Hardness anti-scratch 7H
<b>Local Signalling</b>	Buzzer LED (green) for on LED (orange) for stand-by
<b>Function Available</b>	Operate with water on screen
<b>Width</b>	283.1 mm
<b>Height</b>	202.3 mm
<b>Depth</b>	85.5 mm
<b>Cut-Out Dimensions</b>	274.6 (+/- 0.7) x 193.8 (+/- 0.4)
<b>Net Weight</b>	2.5 kg
<b>Display Size</b>	10" wide multi-touch
<b>Main Type</b>	Optimised

## Environment

<b>Ip Degree Of Protection</b>	IP66 front panel:
<b>Product Certifications</b>	AS/NZS C-Tick CCC CE RCM EAC
<b>Standards</b>	UL 60950 CSA C22.2 No 60950 FCC part 15 class A CISPR 11 IEC 61000-6-4 IEC 61000-6-2 IEC 60950
<b>Directives</b>	2004/108/EC - electromagnetic compatibility 2006/95/EC - low voltage directive
<b>Pollution Degree</b>	2
<b>Ambient Air Temperature For Operation</b>	0...55 °C SSD 0...55 °C Cfast card 0...45 °C HDD 0...45 °C Mini PCIe
<b>Ambient Air Temperature For Storage</b>	-20...60 °C
<b>Relative Humidity</b>	10...95 % non-condensing
<b>Operating Altitude</b>	2000
<b>Vibration Resistance</b>	1 gn (f = 5...500 Hz)HDD 2 gn (f = 5...500 Hz)SSD 2 gn (f = 5...500 Hz)Cfast card

## Packing Units

<b>Unit Type Of Package 1</b>	PCE
<b>Number Of Units In Package 1</b>	1
<b>Package 1 Height</b>	6.1 cm
<b>Package 1 Width</b>	20.2 cm
<b>Package 1 Length</b>	28.3 cm

---

Package 1 Weight

2.6 kg

## Sustainability

**Green Premium™ label** is Schneider Electric's commitment to delivering products with best-in-class environmental performance. Green Premium promises compliance with the latest regulations, transparency on environmental impacts, as well as circular and low-CO<sub>2</sub> products.

**Guide to assessing product sustainability** is a white paper that clarifies global eco-label standards and how to interpret environmental declarations.

[Learn more about Green Premium >](#)

[Guide to assess a product's sustainability >](#)



Transparency RoHS/REACH

## Well-being performance

Reach Free Of Svhc

Mercury Free

Rohs Exemption Information Yes

## Certifications & Standards

Reach Regulation

[REACH Declaration](#)

Eu Rohs Directive

Pro-active compliance (Product out of EU RoHS legal scope)

China Rohs Regulation

[China RoHS declaration](#)

Environmental Disclosure

[Product Environmental Profile](#)

Weee

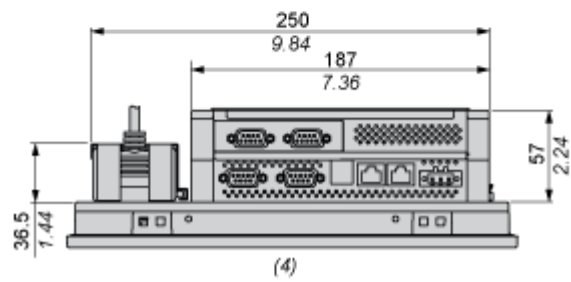
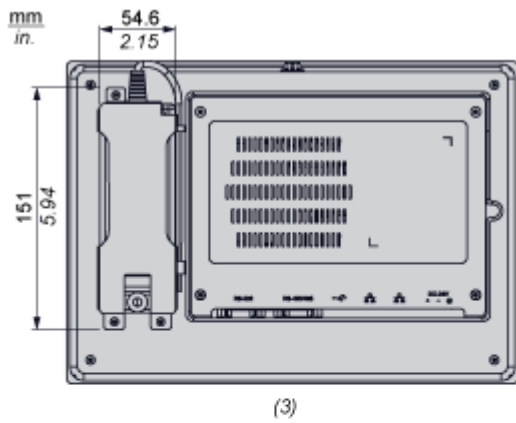
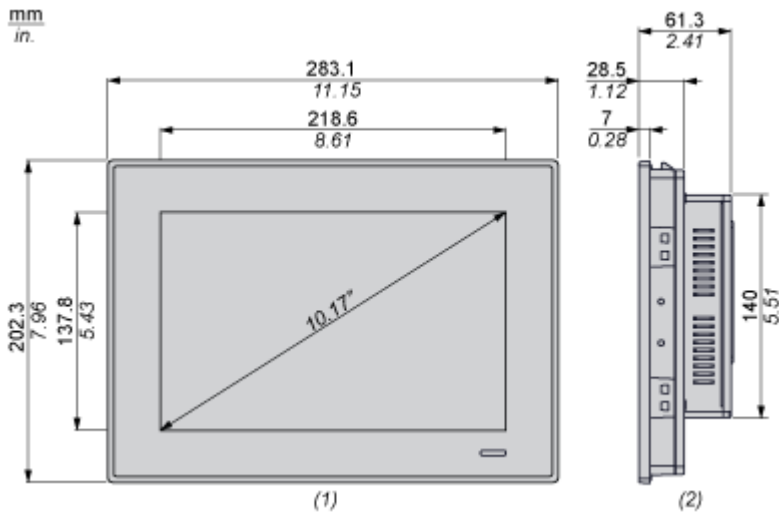
The product must be disposed on European Union markets following specific waste collection and never end up in rubbish bins

Circularity Profile

[End of Life Information](#)

Dimensions Drawings

Dimensions

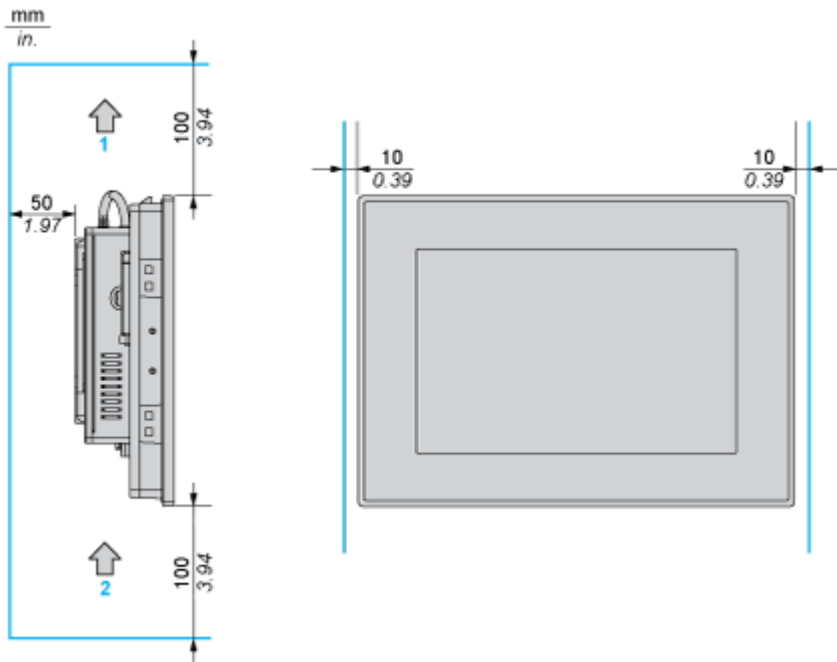


- (1) Front view
- (2) Right view
- (3) Back view
- (4) Bottom view

Mounting and Clearance

Spacing Requirements

---

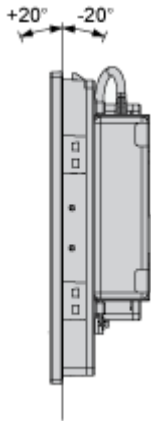


1 : Air out

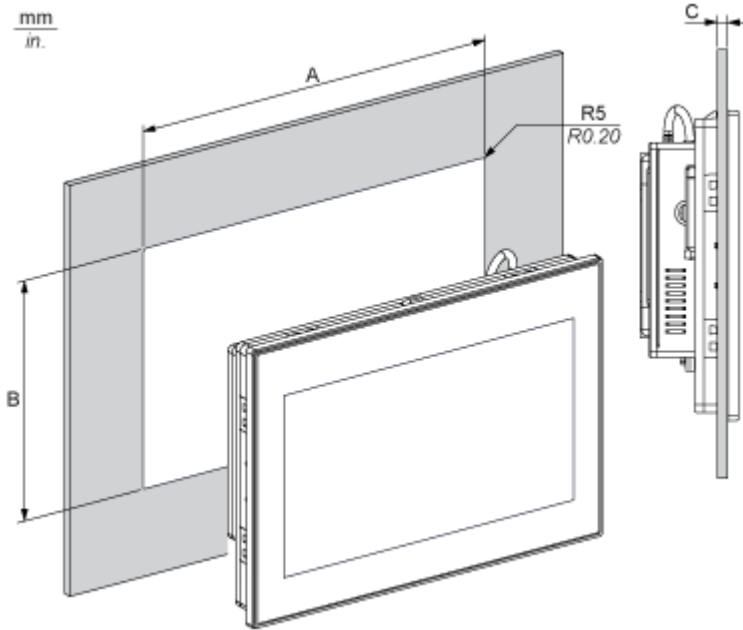
2 : Air in

Mounting Orientation

---



Panel Cut Dimensions



A		B		C		R	
mm	in.	mm	in.	mm	in.	mm	in.
274.6	10.81	193.8	7.63	2...6	0.08...0.23	5	0.20